

SONY



PXW-FS5/FS5K

Solid-State Memory Camcorder

α Mount System

XDCAM

XAVC

Exmor
CMOS Sensor

4K





Grab and Shoot with handheld super 35

A handheld camera should be able to get you into tight places. To work in your lap. To move with the talent. To shoot high and low angles with equal agility. And a handheld camera should function beautifully against your chest comfortably steadied by your right hand with all the controls at your fingertips. Sony's extraordinary PXW-F55 does all of this, and more.





Ultimate mobility

The FS5 is a radical re-imagining of the FS7 for unsurpassed on the go shooting in the most demanding of conditions. With a body-only weight less than half the FS7 at 0.84kg, you can shoot almost anywhere. Handheld operation is simply exceptional as the superbly balanced chassis is easily configured to shoot from high to low angles thanks to a flexible, rotatable grip and a LCD viewfinder that can be mounted in no less than nine locations.

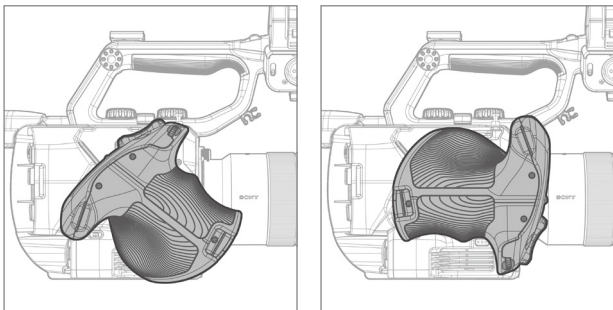




Modular design for easy integration

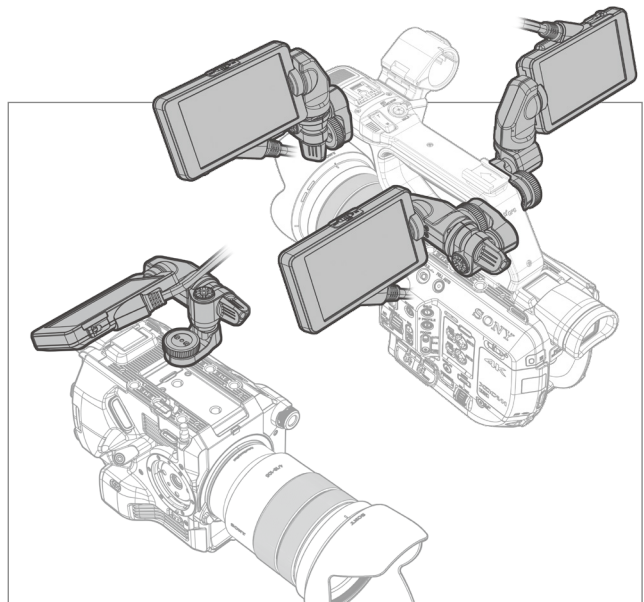
The FS5 is designed to be taken apart quickly and easily, with no need for custom tools. There are also 1/4-inch screw holes on handle, top and bottom of the body to support mounting on a drone, gimbal or in an underwater housing. For tripod mounting, there's both 1/4 and 3/8 inch screw hole on the bottom. You can even add the FS7's rosette mount* to securely attach an FS7 arm and compatible third-party accessories.

* Rosette mount component available from Sony service centres.



Rotatable grip

All of the FS5's key functions are put at your fingertips - from an electronic zoom lever to assignable dials and responsive joystick. The smart grip is located as close as possible to the centre of gravity of the camera to avoid rolling, while a grip belt makes your hold completely secure. To adjust the smart grip's angle, you only need to press one button and turn. Detaching the grip is made fast and simple with a bayonet connection.

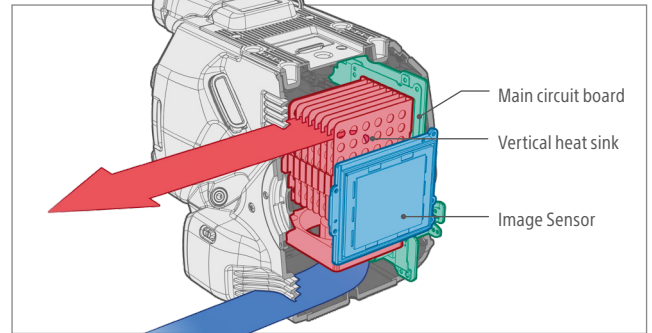


Versatile monitoring

However you want to shoot, the FS5 adapts to fit your style. Its 3.5-inch LCD screen can be attached in no less than nine different locations, three on top of the handle and another six on top of the body. And once attached, the positioning of the screen can be freely adjusted - for example either beside the camera body or directly along the axis of the lens.

Compact & Reliability

0.8Kg



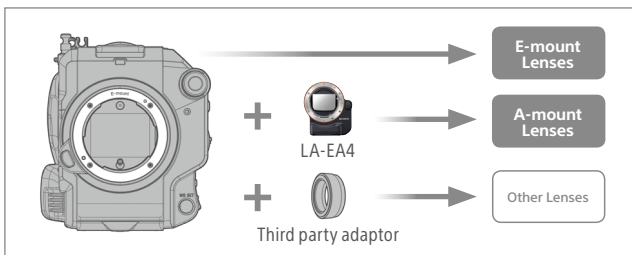
Lightweight

Despite its amazingly light 0.8kg body, the FS5 is more than tough enough for the rigors of real-world shooting. The main frame is magnesium, for high rigidity and light weight. Cooling is an urgent requirement in a 4K camera, all the more so in a camera as compact as the FS5.

Durability

An advanced cooling system design features a vertical heat sink placed directly beside the image sensor and main circuit board to maximise its effectiveness. An air duct cools the heat sink while isolating the electrical components from exposure to dust

Other features



α mount flexibility

Sony's α mount system offers unsurpassed compatibility with both Sony and third-party lenses. The FS5's E-Mount can take Cinema lenses and SLR lenses with a third party adaptor, as well as Sony's E-mount and A-mount lenses. So whether buying new lenses, or making use of lenses you've already purchased, the FS5 makes it easy.



Multi-Interface (MI) Shoe

The FS5 takes advantage of Sony's flexible Multi-Interface (MI) Shoe, which provides power, signal connections and coordinated on/off switching to compatible Sony accessories. For example, you can connect and control Sony wireless microphone systems such as the UWP-D11 or UWP-D12 or attach the HVL-LBPC light.*

* Accessories sold separately. HVL-LBPC light does not draw power from FS5.



Direct Menu

Direct Menu function display onscreen, so shooting parameters can be changed quickly and conveniently without taking your eyes off the action.



Networked for high mobility

Live stream from any event thanks to a choice of Wi-Fi or built-in wired LAN.

Control FS5 from your smartphone or tablet. Built-in NFC supports one-touch authentication possible with appropriate devices

Be first with breaking news thanks to a built-in wired LAN jack for high-speed FTP transfer of full resolution content.



Sony FE 90mm F2.8 Macro G OSS Lens, Std. Gamma, ISO1000 F4

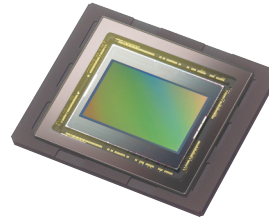


Sony Distagon T* FE 35mm F1.4 ZA Lens, Std. Gamma, ISO1000 F8

4K

PXW-FS5 Captured 4K Images

4K



Exmor
CMOS Sensor

4K Super 35 Exmor® sensor

The FS5 is built around a high-sensitivity 4K Super35 "Exmor" CMOS Sensor that offers all the benefits of a large format sensor in combination with the exceptional image readout speeds required for 4K motion-picture shooting and Super Slow Motion. 4K resolution. 11.6 million total pixels and 8.8 million effective pixels deliver 4K resolution. Even if you're delivering in HD, your recordings will capture detail and image texture that HD sensors simply cannot see. Super 35 size sensor offers "bokeh," the defocused backgrounds made possible by shallow depth of field, as well as excellent low-light sensitivity and an expansive field of view. 14 stops of exposure latitude deliver powerful grayscale

rendition without crushing shadow detail or blowing out high-light detail. Exceptional sensitivity enables you to shoot well after sunset, without tons of lighting and grip. Sony's Exmor CMOS design provides high-speed full-pixel read-out capability (without pixel binning) and sophisticated camera processing to ensure jaggies and moiré are minimized.

240

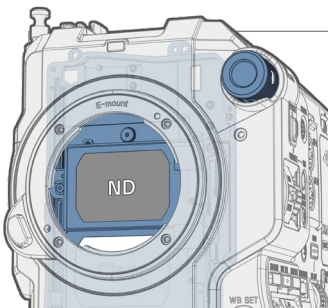
fps



High Frame Rate (HFR) recording

The FS5 offers High Frame Rate (HFR) cache recording at Full HD 10bit 4:2:2 image quality and a frame rate of up to 240 fps. The 8-second cache recording means no more mistimed shots lead-

ing to extra takes. It also lets you pick out footage at exactly the point that you want. It is also possible to record 120 fps with up to 16-second cache recording. Higher frame rates of 480 fps and 960 fps are also possible



Built-in Electronic Variable ND Filters

The FS5 is the world's first Super 35mm camcorder* with a built-in electronic variable Neutral Density (ND) filter, further expanding the depth of field capability of its large format sensor. Unlike conventional optical ND filters, the electronic ND filter on the FS5 can be controlled from 1/4ND to 1/128ND linearly. This makes the FS5 ideal for fast-moving shoots in changeable environments - there's no need to change filters as lighting conditions change and variable control makes it easy to keep depth of field under control.

*Sony market research, September 2015.



Std. Gamma, ISO1000 F2, No ND Filter (Clear)



Std. Gamma, ISO1000 F2, 1/128ND

Full HD **10** bit

XAVC

Colour, contrast and the XAVC codec

When quality is everything, make the most of the FS5's Super 35 Exmor sensor and shoot 100Mbps 4K (3840 × 2160) using Sony's advanced XAVC (Long GOP) recording system. In the future, there will even be the option to record RAW externally (details to be announced). If you need a fast turnaround, switch to Full-HD (1920x1080)-recording at up to 60p XAVC 10bit 4:2:2 50Mbps. The FS5 has the flexibility to suit how you need to work, today and tomorrow.



S-Log3 Original



S-Log3 Grading

S-Log3 and maximum dynamic range

As the exposure latitude of modern cameras climbs, conventional HD recording systems are hard-pressed to keep pace. That's why Sony developed S-Log2 and now S-Log3. Sony's most refined logarithmic gamma mode yet, S-Log3 enables faster, easier colour grading with more levels devoted to shadows and mid-tones for spectacular grayscale rendition. You'll spend less time "getting into the ballpark," leaving more time for creativity. Of course, for the S-log2 lover, Sony supports S-log2 gamma for PXW-FS5

S-Gamut3 and S-Gamut3.cine

The camera features the ample colour space of S-Gamut3 and S-Gamut3.cine. The first reproduces the maximum available colour space, and is well suited to archiving. The second matches well with the Digital Cinema Initiatives (DCI) P3 colour space.



Clear Image Zoom

This proprietary Sony technology significantly extends your ability to get closer to a remote scene while preserving image quality. Once you've zoomed in at maximum optical magnification, By Pixel Super Resolution Technology can enlarge the image by additional 200%. It is also compatible with fixed focal length lenses, so you can zoom into a scene while using a prime lens.



Centre Scan Mode

To support traditional Super 16mm cinema lenses, the FS5 has a Centre Scan Mode which selectively outputs 2160x1080 from the sensor's centre. This gives the FS5 all the characteristics of a Super 16mm film camera and avoids any vignetting. It also offers a 2X Digital Extender zoom – effectively doubling your range for HD content.

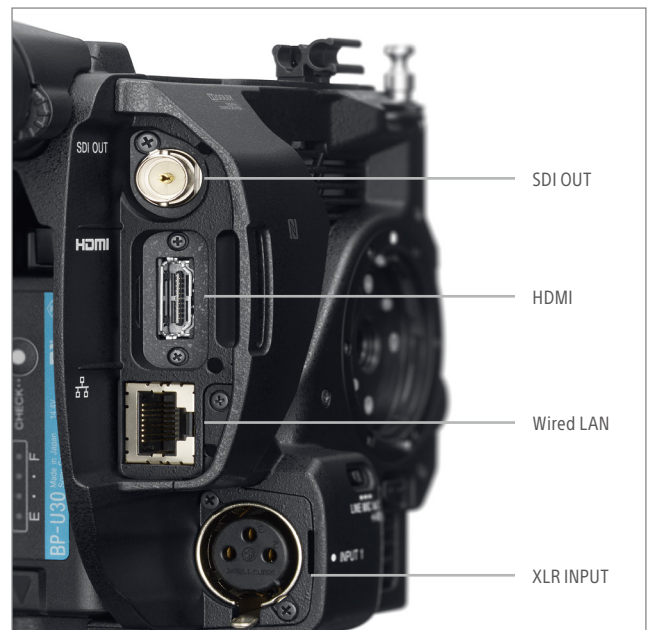
Dual media slots with independent record control

To extend recording time and workflow flexibility, the FS5 is equipped with two memory card slots. "RELAY" mode automatically switches recording from the first to the second memory card when the first is full, while "SIMUL" mode permits simultaneous recording to two memory cards (for example to create an immediate back-up version). The FS5's three Start/Stop buttons on the grip, handle and camcorder body, can independently start and stop recording on different memory cards while recording in "SIMUL" mode.



Input / Output

The FS5 has two XLR connectors – so even if you remove the handle with its standard, easy-access XLR connector then a second on the body is still available, making it ideal for applications such as shooting in a confined space, such as a car interior, or when mounting on a gimbal.





from a series to PXW-F55 & FS7

Advanced E-mount lenses

Sony's E-mount interchangeable lenses feature precision-crafted optics with aspherical glass elements for compact high performance, and a circular iris mechanism for smooth background defocusing. Offering high performance in movie shooting, following E-mount lenses will be of special interest to videographers and moviemakers.



E PZ 18-105mm F4 G OSS

SELP18105G

SELP18105G is supplied with PXW-F55K



FE PZ 28-135mm F4 G OSS

SELP28135G



FE 70-200 F4 G OSS

SEL70200G



Distagon T* FE 35mm F1.4 ZA

SEL35F14Z



α Mount System for a Wide Selection of Lenses

Adopts E-mount that is suitable for movie shooting

The FS5 incorporates the E-mount lens mount. This is especially useful for motion-picture shooting because the system supports power driven silent auto focus, iris control, power zoom and more, as well as SteadyShot image stabilization and other functions. Moreover, the E-mount system's short flange-back distance (the distance from the lens-mounting surface to the image sensor) enables use of A-mount lenses via LA-EA4 or LA-EA3 lens adapter, as well as various other lenses via third-party adapters. The E-mount system thereby makes it possible to take advantage of a wealth of lens resources suitable for creative, versatile video expression.

Zoom

Zooming is a fundamental moviemaking technique that is used for both practical framing changes as well as creative effect. "Smooth" is the key requirement here. Any tracking irregularities such as jitter or axial image shifts are unacceptable. Sony's professional camcorder technology combines with state-of-the-art lens design and control technologies once again to deliver exceptionally smooth tracking throughout the zoom range at any speed. And, like focus operation, zooming is quiet as well as responsive thanks to advanced mechanical and actuator design and manufacture. Lenses are individually tested to ensure that the desired level of performance is achieved in every unit.

Iris

Background bokeh (defocusing) can be just as important in movies as it is in still images. The original Sony's circular aperture design contributes to smooth, beautiful bokeh with natural highlights. Iris noise can be an issue for moviemaking too, so the quietest, most accurate and responsive control and actuator systems are used for iris operation as well.



Focus

When making movies you're frequently focusing while shooting, either with autofocus or manually. A lens that has not been designed with movies in mind might exhibit "breathing," or variations in the angle of view while focusing. That can be a jarring distraction, so Sony α mount lenses feature optical designs and control technology inherited from our professional camcorders that ensure an absolute minimum of breathing. Noise while focusing can also be an issue, but advanced Sony's linear motor and lens control technologies achieve quiet focusing that is also extremely responsive. Part of the reason that focus control is so quiet is that original Sony linear motors are contactless, with no gears or mechanical coupling to generate noise. Internal focusing is an advantage too, since the front element of the lens does not rotate and the overall length of the lens does not change while focusing.

Specifications

PXW-F55	
General	
Mass	Approx. 830g (Body only) Approx. 2.2kg (with SELP18105G and lens hood[optional], battery pack BP-U30, large eyecup, lcd panel, handle, grip w/o gripbelt)
Dimensions (W x H x D)*	Approx. 111.3 x 128.7 x 172.4 mm (Body only including the projecting parts)
Power Requirements	DC 14.4V (battery pack) / DC 12.0V (AC adaptor)
Power Consumption	NTSC: Approx. 11.8W, PAL: Approx. 11.5W (while recording with LCD Off, EVF On when the external device connector is not used.)
Operating Temperature	0°C to 40°C (32°F to 104°F)
Storage Temperature	-20°C to +60°C (-4°F to +140°F)
Battery Operating Time	Approx. 2 hours, 10 minutes with BP-U30 battery (While recording with LCD On, EVF Off when the external device connector is not used.) Approx. 4 hours, 20 minutes with BP-U60 battery (While recording with LCD On, EVF Off when the external device connector is not used.) Approx. 6 hours, 50 minutes with BP-U90 battery (While recording with LCD On, EVF Off when the external device connector is not used.)
Lens	
Lens Mount	E-mount
Camera Section	
Imaging Device (Type)	Super35 type Single-chip Exmor CMOS
Effective Picture Elements	3840 (H) x 2160 (V)
Built-in Optical Filters	OFF: Clear, 1: 1/4ND, 2: 1/16ND, 3: 1/64ND Linear variable ND (Approx. 1/4ND to 1/128ND)
Sensitivity (2000 lx, 89.9% reflectance)	Video Gamma: T14 (3840 x 2160/23.98p mode 3200K)
ISO Sensitivity	ISO 3200 (S-Log3 Gamma)
Minimum Illumination	0.16Lux [60i] (IRIS F1.4, GAIN Auto, Shutter Speed 1/24) 0.18Lux [50i] (IRIS F1.4, GAIN Auto, Shutter Speed 1/25)
S/N Ratio	57 dB (Y) [typical]
Shutter Speed	1/8 to 1/10000 sec. (60i) 1/6 to 1/10000 sec. (50i/24p)
Slow & Quick Motion Function	[30p]: 2160p: Frame rate selectable 1.2, 4, 8, 15, 30 fps [25p]: 2160p: Frame rate selectable 1.2, 3, 6, 12, 25 fps [60i]: 1080p: Frame rate selectable 1.2, 4, 8, 15, 30, 60 fps [50i]: 1080p: Frame rate selectable 1.2, 3, 6, 12, 25, 50 fps
Super Slow Motion Function	[60i] Frame rate selectable 120, 240, 480, 960 fps [50i] Frame rate selectable 100, 200, 400, 800 fps
White Balance	Preset (3200K), Memory A, Memory B/ATW
Gain	0, 3, 6, 9, 12, 15, 18, 24, 27, 30dB, AGC
Gamma Curve	Selectable

* The values for dimensions are approximate.

PXW-F55	
Input/Output	
Audio Input	XLR-type 3-pin (female) (x2), line/mic/mic +48 V selectable
Video Output	Integrated into Multi/Micro USB jack Composite 1.0Vp-p, 75Ω
SDI Output	BNC type (1) [3G-SDI/HD-SDI/SD-SDI]
HDMI Output	HDMI connector (Type A)
USB	Multi/Micro USB jack (x1)
Headphone Output	Stereo mini mini jack (x1)
Speaker Output	Monaural
DC Input	DC jack
Remote	Stereo mini-mini jack (ø2.5 mm)
Wired LAN	LAN Terminal 100BASE-TX/10BASE-T
Monitoring	
Built-in LCD Monitor	8.8 cm (3.5 type), Approx. 1.56M dots
Viewfinder	1.0cm(0.39 type)OLED Approx. 1.44M dots
Built-in Microphone	
	Omni-directional stereo electret condenser microphone
Media	
Type	MS/SD(1),SD(1)
Wi-Fi/NFC	
Supported Format	IEEE 802.11 b/g/n
Frequency Band	2.4 GHz bandwidth
Security	WEP/WPA-PSK/WPA2-PSK
NFC	NFC Forum Type 3 Tag compliant
Supplied Accessories	
	Handle (1) Grip Remote (1) LCD Panel (1), LCD Protector (1) Accessory shoe kit (accessory shoe (1), accessory shoe plate (1), screws (4)) Large eyecup (1) USB cable (1) AC adaptor (1) (AC-UES1230) Power cord (2 or 4) *depends on area Wireless remote commander (1) (RMT-845) CD-ROM "Manuals for Solid-State Memory Camcorder" (1) Operating Guide (2) SELP18105G(1) (PXW-F57K only) LENS Hood(1) (PXW-F57K only) BP-U30 battery pack (1) BC-U1 battery charger (1)

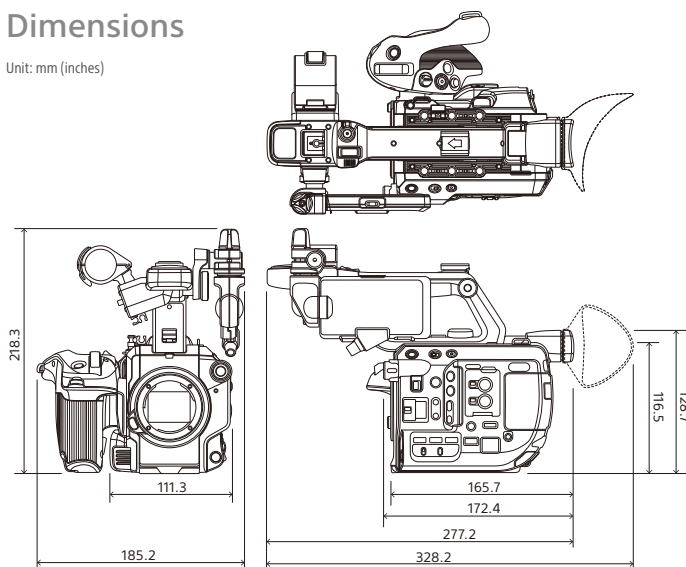
	Format	bitrate	mode	definition	recording frame rate	audio format	recording time 64G SD card	
4K	XAVC Long MPEG-4 AVC/H.264	100Mbps	-	3840 x 2160	29.97p, 25p, 23.98p	Linear PCM 2ch, 24bit, 48kHz	Approx. 65 min	
		60Mbps	-		29.97p, 25p, 23.98p		Approx. 100 min	
HD	XAVC Long MPEG-4 AVC/H.264	50Mbps	-	1920x1080	59.94p, 50p, 59.94i, 50i, 29.97p, 25p, 23.98p,	Linear PCM 2ch, 24bit, 48kHz	Approx. 120 min	
		35Mbps	-	1280x720	59.94p, 50p,		Approx. 170 min	
		25Mbps	-	1920x1080	59.94p, 50p, 59.94i, 50i, 29.97p, 25p, 23.98p,		Approx. 220 min	
		28Mbps	PS	1920x1080	59.94p, 50p,		Approx. 290 min	
		24Mbps	FX	1920x1080	59.94i/50i/29.97p/25p/23.98p,		Linear PCM 2ch, 16bit, 48kHz	Approx. 340 min
		17Mbps	FH	1280x720	59.94p, 50p,			Approx. 450 min
	AVCHD MPEG-4 AVC/H.264 AVCHD 2.0 format compatible	9Mbps	HQ	1280x720	59.94p, 50p,	Dolby Digital 2ch, 16bit, 48kHz	Approx. 590 min	

Accessories



Dimensions

Unit: mm (inches)



©2015 Sony Corporation. All rights reserved.

Reproduction in whole or in part without written permission is prohibited.

Features and specifications are subject to change without notice.

The values for mass and dimension are approximate.

Sony and Sony logo are trademarks of Sony Corporation.

XDCAM, XAVC, α Mount System and their respective logos are trademarks of Sony Corporation.

All other trademarks are the property of their respective owners.

Distributed by